

02.08.2017



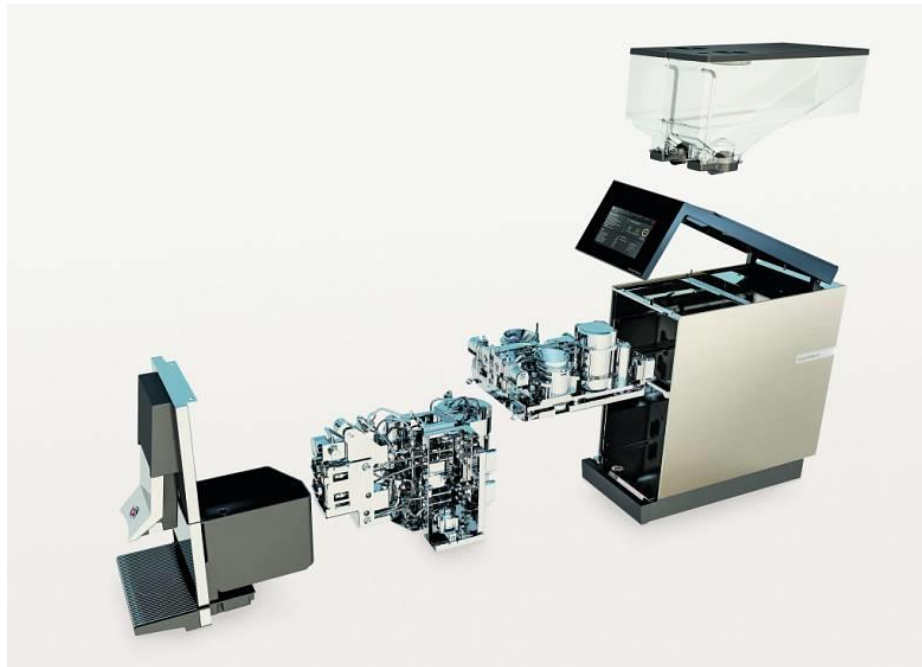
# Thermoplan Black & White 4C CTM RS



## **The new generation of Black & White coffee machines 4c CTM RS with a 4l milk refrigerator**

Thermoplan Black&White 4c the newest addition to the hugely successful Black & White coffee machines family. 4c contains the top technology of coffee brewing in a compact size. This Swiss quality coffee machine prepares filter coffee, espressos and cappuccinos. The perfect milk foam has been the trademark of the Black & White coffee machines since the beginning. The B&W 4c CTM is equipped with a 4l integrated refrigerator for fresh milk.

Thanks to the the modular structure of the Black & White machines the maintenance and service times are minimized. 4c is the most compact sized coffee machine on the market for high capacity, with only 22,8 cm wide footprint for the coffee unit.



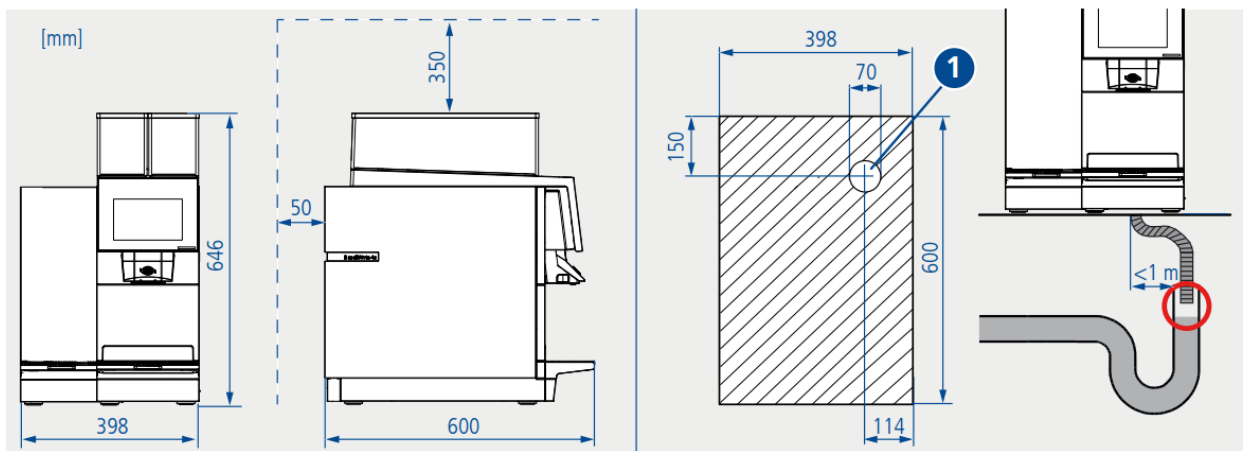
The modern design of 4c makes the machine suitable for many different kind of locations including offices, cafeterias and restaurants. In addition, the user interface and software has been redesigned from the previous B&W machines for even more intuitive user experience. The machine has a 7" touch screen, which can also show media files.



The machine has an easy, automatic cleaning program, which guides the user in every step of the cleaning. The milk is heated with a hydraulic boiler, which eliminates waste energy and is the most energy efficient system on the market.

### Thermoplan B&W 4c CTM specifications:

- Country of origin: Switzerland
- Bean hopper capacity: 2 bean hoppers with 1,5 kg capacity. Optional 2,2 hoppers available.
- Cleaning cycle: approximately 25 min
- Voltage and power: 230 V / 2900 W
- Water connection: 3/8", water pressure limit 5 bar, drain connection
- Dimensions and weight: H 646 x W 398 x D 600 (mm), 40 kg
- Dimensions for installation: H 996 x W 398 x D 650 (mm)
- User interface: 7" touch screen
- 



1 Hole diameter 70 mm for water-/milk inlet and water outlet. Also possible for electric cords.